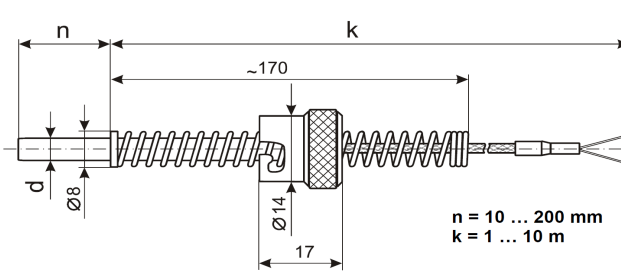
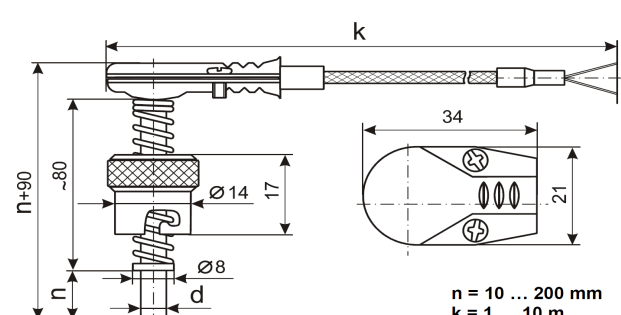
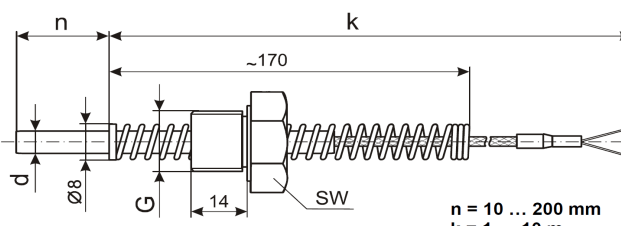
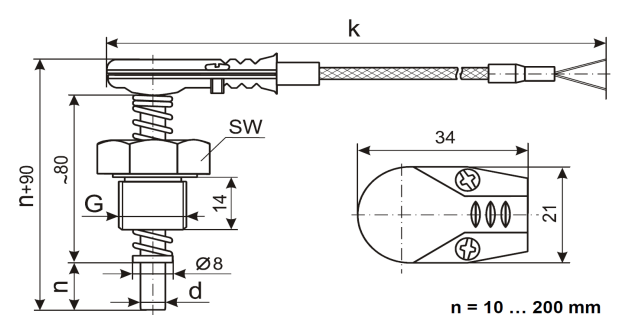


Termocuplu tip TSB

T/C BAYONET CABLE PROBE Sheath - stainless steel (see table notes) Cable - see table notes	Bx (TSBx)	SENSITIVE ELEMENT	CABLE TYPE	TEMPERATURE RANGE	DIMENSIONS	
					d [mm]	wires
STRAIGHT-TUBE DESIGN (B)  <p style="text-align: right; margin-right: 50px;"> n = 10 ... 200 mm k = 1 ... 10 m </p>		1 x K, 1 x N, 1 x E	SLSL, TSL, TT YY, UU, YU SLSL, TSL, TT, GLGL GLGL, SFSF	T7 0...200 °C T9 -50...200 °C T1 -50...400 °C T8 0...400 °C T4 0...800 °C T3* 0...850 °C	4, 4.5, 5, 6, 8	2
DESIGN WITH ANGLED TERMINATION (BL)  <p style="text-align: right; margin-right: 50px;"> n = 10 ... 200 mm k = 1 ... 10 m </p>		1 x J	SLSL, TSL, TT YY, UU, YU SLSL, TSL, TT, GLGL GLGL, SFSF	T7 0...200 °C T9 -50...200 °C T1 -50...400 °C T8 0...400 °C T4* 0...800 °C	4, 4.5, 5, 6, 8	2
STRAIGHT DESIGN WITH MOVABLE CONNECTION (BG)  <p style="text-align: right; margin-right: 50px;"> n = 10 ... 200 mm k = 1 ... 10 m </p>		1 x T	YY, UU, YU SLSL, TSL, TT GLGL	T7 0...200 °C T9 -50...200 °C	4, 4.5, 5, 6, 8	2
ANGLED DESIGN WITH MOVABLE CONNECTION (BGL)  <p style="text-align: right; margin-right: 50px;"> n = 10 ... 200 mm k = 1 ... 10 m </p>						

Sheath material:
 1.4301 (M1), 1.4541 (M2), 1.4571 (M3), 1.4404 (M9), 1.4841 (M5), 2.4816 (M8)

Cable type:
 - GLGLP(V) (glass fiber w/ steel braid, max. 400 °C ambient temperature)
 - SLSL or TSL (silicone, max. 250 °C ambient temperature)
 - TT (Teflon®, max. 250 °C ambient temperature)
 - YY (PVC, max. 100 °C ambient temperature)
 - UU or YU (PUR, max. 80 °C ambient temperature)
 - SFSF (mineral fiber, max. 1000 °C ambient temperature)

Applicable cables:

Probe design	B, BG	BL, BGL
Temp. range	no PUR, no PVC	all
T7, T9	no PUR, no PVC	all
T1, T8	GLGLP, SFSF	no PUR, no PVC
T3, T4	SFSF	GLGLP, SFSF

Tip shape:
 standard (isolated), grounded, open-tube, exposed
 (see Appendix - Tip shapes)

Accuracy class:
 '1' or '2' (see Appendix - T/C Tolerance)

Cable connector:
 4-pin (C3), 'T/C standard' (C5) or 'T/C miniature' (C6)
 (see Appendix - Connectors)

Bayonet:
 ø13x1... ø20x1; aluminum, brass, or stainless steel

Available threads and HEX sizes:

G	M8	M10 1/8"	M12 1/4"	M14	M16 3/8"	M18	M20 1/2"
SW	10	12(13)	14	17	19	22	24

* Please contact

Distributor:

SYSCOM 02 Srl Bucuresti

Tel./ Fax.: 021 410 5281; mobil: 0722 725659; e-mail: syscom02@automatizariindustriale.ro;

www.automatizariindustriale.ro

Ordering code TSB(L,G,GL) - G2.G3.G4.G5'G5".G6.G8.G9.G10.G11.G14.G15 - #1

Code	Feature or option	Code values	
G2	Thermocouple	J - T/C type "J", K - T/C type "K", T - T/C type "T", N - MI T/C type "N" ⁽¹⁾ , E - MI T/C type "E" ⁽¹⁾ , T - MI T/C type "T" ⁽¹⁾	
G3	Temperature range	T1 - -50...400 °C, T3 - 0...850 °C ⁽⁵⁾ , T4 - 0...800 °C ⁽⁵⁾ , T7 - 0...200 °C, T8 - 0...400 °C, T9 - -50...200 °C	
G4	Diameter 'd' [mm]	normal T/C	4 ⁽⁵⁾ , 5 , 6 , 8
		MI T/C ⁽¹⁾	4.5 , 6 , 8 ⁽⁵⁾
G5'	Bayonet size ⁽²⁾	13 - ø13x1, 14 - ø14x1, 15 - ø15x1, 17 - ø17x1, 20 - ø20x1, Z - other (specify!)	
G5"	Bayonet material ⁽²⁾	AL - aluminum, BR - brass, SS - stainless steel	
G6	Probe length 'n' [mm]	10...200	
G8	Cable length 'k' [m] and type	1GL...10GL - glass fiber, 1SL...10SL - silicone, 1TF...10TF - Teflon®, 1PU...10PU - polyurethane ⁽⁵⁾ , 1MF...10MF - mineral fiber, 1PV...10PV - PVC	
G9	Mounting connection ⁽³⁾	Q0 - M16x1.5, Q1 - M18x1.5, Q2 - M20x1.5, Q3 - G3/8", Q4 - G1/2", Q7 - M12x1.5, Q8 - M14x1.5, Q10 - 1/2" NPT, Q18 - G1/8", Q19 - 1/8" NPT, Q20 - M10x1, Q23 - G1/4", Q24 - 1/4" NPT, Q26 - M8x1, Q29 - M8x1.25, Q30 - M10x1.5, Q31 - M6x1, Uxx - union nut (xx - same as for Qxx)	
G10	Sheath material (wetted parts)	normal T/C	M1 - 1.4301, M2 - 1.4541, M3 - 1.4571, M9 - 1.4404
		MI T/C ⁽¹⁾	M1 - 1.4301, M2 - 1.4541, M3 - 1.4571, M5 - 1.4841, M8 - 2.4816 (Inconel 600), M9 - 1.4404
G11	Accuracy class	1 - '1' ⁽⁵⁾ , 2 - '2'	
G14	Tip shape (hot junction)	X - standard (isolated from sheath), G - grounded, E - exposed hot junction, O - open-tube design	
G15	Connector	X - none, C3 - 4-pin male plug-in connector ø8 (for H5700 thermometer only), C5 - T/C connector, C6 - miniature T/C connector	
#1	Options	X - none, OV - vibration proof (MgO or Silicone filled) ⁽⁴⁾ , OS - cable protection SS spring (≈ 50 mm) ⁽¹⁾ , OB - braid termination lead (only w/o connector), OP - electrochemically polished sheath surface ⁽⁴⁾	

⁽¹⁾ Only for TSBL and TSBGL!

⁽²⁾ Only for TSB and TSBL!

⁽³⁾ Only for TSBG and TSBGL!

⁽⁴⁾ Only for non-MI (normal) sheath types!

⁽⁵⁾ Contact

Distributor:

SYSCOM 02 Srl Bucuresti

Tel./ Fax.: 021 410 5281; mobil: 0722 725659; e-mail: syscom02@automatizariindustriale.ro;

www.automatizariindustriale.ro