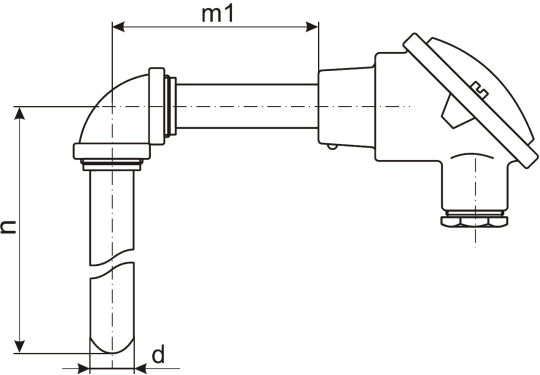
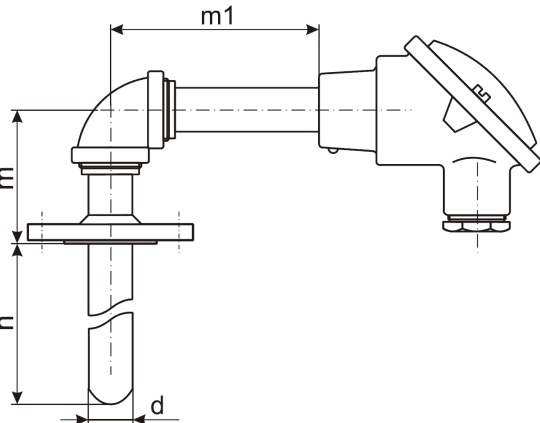
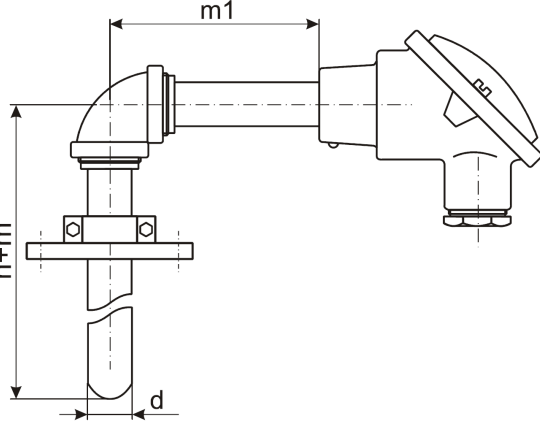


TERMOREZISTENTA tip TSL

| ANGLED RTD PROBE WITH PROTECTION HEAD Lx (TSLx) (FOR IN-HEAD TRANSMITTER)** OLx (TSOLx) Sheath - stainless steel (see Appendix - Sheath materials) Head - aluminum, stainless steel, or plastic (see Appendix - Protection heads) | SENSITIVE ELEMENT | TEMPERATURE RANGE | DIMENSIONS | | | | | | | |
|--|---|---|------------------------|-----------------|--------------|-------|----|-----------------|--------|-------|
| | | | d [mm] | wires | | | | | | |
| DESIGN WITHOUT FLANGE (L)  | 1 x Pt (RB,RD,RF,RG) | T9 -50...200 °C T1 -50...400 °C T11* -50...600 °C | 10, 12, 14, 16, 20, 22 | 2, 3, 4* | | | | | | |
| | 2(3) x Pt (RB,RD,RF,RG) | T2* -200...600 °C T4* -0...800 °C | 12, 14, 16, 20, 22 | 2x2(3)* 3x2* | | | | | | |
| | 1 x Cu (RH, RK) | T9 -50...200 °C | 10, 12, 14, 16, 20, 22 | 2, 3, 4* | | | | | | |
| | 2 x Cu (RH, RK) | T9 -50...200 °C | 12, 14, 16, 20, 22 | 2x2(3)* | | | | | | |
| DESIGN WITH WELDED FLANGE (L1)  | Protection head: B, MA, MB, G, N, Dx, Ex, EX (see Appendix - Protection heads) Process connection: - welded flange - adjustable flange - no mounting appliances Insertion length: n = 200...1500 mm Extension length: m = 100...1000 mm Holding tube: - m1 = 100...1000 mm - OD 20(22) mm - tube/elbow material 1.4301 or 1.4541 Tip shape: standard, narrowed, pitted (see Appendix - Tip shapes) Process pressure: <table border="1" data-bbox="836 1050 1209 1102"> <tr> <td>Probe design</td> <td>L, L1</td> <td>L3</td> </tr> <tr> <td>Max. pressure *</td> <td>25 bar</td> <td>0 bar</td> </tr> </table> | | | | Probe design | L, L1 | L3 | Max. pressure * | 25 bar | 0 bar |
| Probe design | L, L1 | L3 | | | | | | | | |
| Max. pressure * | 25 bar | 0 bar | | | | | | | | |
| DESIGN WITH ADJUSTABLE FLANGE (L3)  | Sheath material: 1.4301(M1), 1.4404(M9), 1.4541(M2), 1.4571(M3), 1.4362 (M15) Wire material: Cu, Ni, or Ag Accuracy class: 'A', 'B', or '2xB' (see Appendix - RTD Tolerance) | | | | | | | | | |
| * Please contact ** Order transmitter separately!!! | | | | | | | | | | |

Ordering code TS*(1,3) - G0.G1G2.G3.G4.G6.G7'.G7".G9.G10.G11.G12.G13.G14 - #1.#2

| Code | Feature or option | Code values |
|------|--------------------------------------|--|
| * | Base model variant | L - standard (w/ terminal block), OL - prepared for in-head transmitter (w/o terminal block) |
| G0 | Protection head | B - type "B", MA - type "MA", MB - type "MB", G - IP65, type "G", N - type "N", D - type "D", DW - windowed, type "DW", DH - w/ high cap, type "DH", DHW - windowed, type "DHW", E - IP65, type "E", ES - stainless-steel, type "ES", EG - IP68 ATEX-approved Ex 'd', type "EG", EGS - IP66 ATEX-approved Ex 'd', type "EGS", EGW - windowed ATEX-approved Ex 'd', type "EGW", EX - explosion-proof instrument housing (specify!) |
| G1 | Number of RTD sensors | 1, 2, or 3 ⁽⁶⁾ |
| G2 | Sensor | RB - Pt50, RD - Pt100, RF - Pt500, RG - Pt1000, RH - Cu50, RK - Cu100 |
| G3 | Temperature range | T1 - -50...400 °C, T2 - -200...600 °C (Ni or Ag wires only!), T4 - 0...800 °C (Ag wires only!), T9 - -50...200 °C, T11 - -50...600 °C (Ni or Ag wires only!) |
| G4 | Diameter 'd' [mm] | 10, 12, 14, 16, 20, 22 |
| G6 | Probe length 'n' [mm] ⁽¹⁾ | 200...1500 |
| G7' | Probe length 'm' [mm] ⁽²⁾ | 100...1000 |
| G7" | Probe length 'm1' [mm] | 100...1000 |
| G9 | Mounting connection | X - no mounting appliances, F - flange (specify!), Z - other connection (specify!) |
| G10 | Sheath material | M1 - 1.4301, M2 - 1.4541, M3 - 1.4571, M9 - 1.4404, M15 - 1.4362 |
| G11 | Accuracy class ⁽³⁾ | A - 'A', B - 'B', C - '2xB' |
| G12 | Number of wires | 2, 3, 4 ⁽⁶⁾ |
| G13 | Wire material ⁽³⁾ | CU - copper, NI - nickel, AG - silver |
| G14 | Tip shape | X - standard closed, N - narrowed, P - pitted ⁽⁴⁾ |
| #1 | Options | X - none, OV - vibration proof (MgO or Silicone filled, secured screws), OP - electrochemically polished sheath surface |
| #2 | Local indicator | X - none, A - local indicator mounted ⁽⁵⁾ |

⁽¹⁾ 'n+m' for TS(O)L3!⁽²⁾ Only for TS(O)L1!⁽³⁾ Only for Pt sensors!⁽⁴⁾ Only for non-explosion-proof RTDs!⁽⁵⁾ With windowed head only! See indicator datasheets and order separately!⁽⁶⁾ Contact

Distributor:

SYSCOM 02 Srl Bucuresti

Tel./ Fax.: 021 410 5281; mobil: 0722 725659; e-mail: syscom02@automatizariindustriale.ro;www.automatizariindustriale.ro