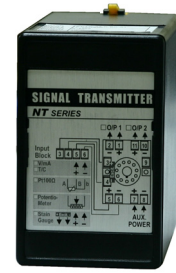


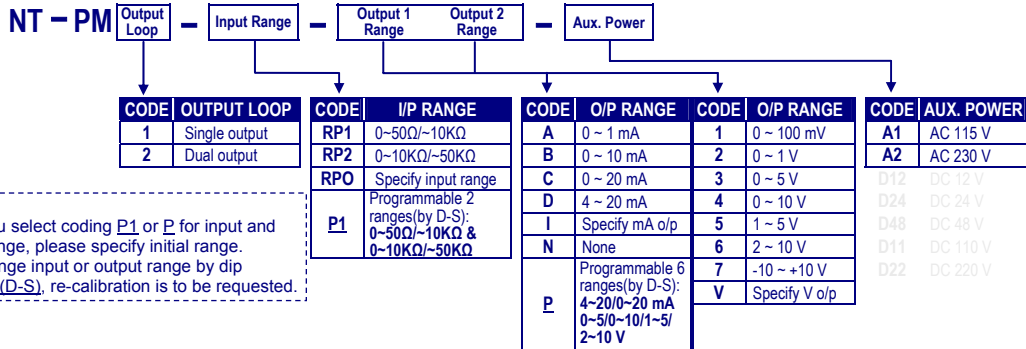
NT-PM POTENTIOMETER CONVERTER & ISOLATOR

FEATURE

- Measuring Potentiometer 0~50Ω/~50KΩ (3 wired)
- 2 Input and 6 Popular Output Ranges 0~5V / 0~10V / 1~5V / 2~10V / 0~20mA / 4~20mA Programmable by Dip-Switch
- Input type Changeable by difference Input Modules
- Dual difference signal output available
- Low cost and high stability
- CE Approved



ORDERING INFORMATION



TECHNICAL DATA

Signal input (change input type by input modules & range by dip-switch)

Input Range	Input Impedance	Excitation Supply
0 ~ 50Ω / ~ 10KΩ	≥ 1M ohm	About 0.2 Vdc
0 ~ 10KΩ / ~ 50KΩ	≥ 1M ohm	About 2.0 Vdc

Analogue output (change output range by dip-switch)

Output Range	Output Resistance	Output Range	Output Resistance
0 ~ 10mAdc	≤ 600Ω	0 ~ 5Vdc	250Ω
0 ~ 20mAdc	≤ 600Ω	1 ~ 5Vdc	250Ω
4 ~ 20mAdc	≤ 600Ω	0 ~ 10Vdc	500Ω
		2 ~ 10Vdc	500Ω

- Accuracy: ≤ 0.1% of F.S. (delivered in customer's specify)
≤ 1% of F.S. (range changed by dip-switch)
- Linearity: ≤ 0.1% of F.S.
- Response time: ≤ 250msec
- Output ripple: ≤ 0.1% of F.S.
- Span adjustment: ≤ 20% of F.S.
- Zero adjustment: ≤ 20% of F.S.

Power

- Power supply: AC 115V or 230V ± 15%, 50/60 Hz
DC 12V, 24V, 48V, 110V, 220V ± 10%
- Power consumption: DC 4W, AC 5.0VA

Environmental

- Operating temperature: 0~60 °C
- Operating humidity: 20~95% RH, Non-condensing
- Temperature coefficient: ≤ 100PPM/°C (0~50 °C)
- Storage temperature: -10~70 °C
- Protection: IP 42

Mechanical

- Dimensions: 50mm(W) x 87mm(H) x 130mm(D) with socket
- Housing: Self-extinguishing, black, UL94V0
- Socket: 11pin, female, black, UL94V0
- Terminals: Screw terminal, up to 2 x 2.5mm² wire
- Mounting: 35mm DIN rail (EN50022)
- Weight: 400g

Specification

- Electrical Safety: IEC 61010 (Installation category 3)
EN 61326
- EMC: AC 2.0KV for 1min
Between Power / Input / Output1 / Output2 / Case
- Insulation resistance: ≥ 100MΩ at 500Vdc

ADJUSTMENT

O/P 2 Zero Adjust Pot (Clockwise: o/p2 increase)
O/P 2 Span Adjust Pot (Clockwise: o/p2 increase)
Dip Switch: Programming for O/P 2 - 6 Ranges selectable
O/P 1 Zero Adjust Pot (Clockwise: o/p1 increase)
O/P 1 Span Adjust Pot (Clockwise: o/p1 increase)
Dip Switch: Programming for O/P 1 - 6 Ranges selectable
Dip Switch: Programming for I/P - 6 Ranges selectable

Programming for input (on input module)
 INPUT Pt1000 : (CODE: P1)

SIGNAL RANGE	DIP-SWITCH (INPUT)
	SW1 SW2 SW3 SW4
50Ω ~ 10KΩ	on on on on
10 KΩ ~ 50 KΩ	on on on on

Programming for output
 OUTPUT V / mA : (CODE: P)

SIGNAL RANGE	DIP-SWITCH (OUTPUT)
	SW1 SW2 SW3 SW4 SW5
0 ~ 5 V	on on on on
1 ~ 5 V	on on on on
0 ~ 10 V	on on on on
2 ~ 10 V	on on on on
0 ~ 20 mA	on on on on
4 ~ 20 mA	on on on on

CONNECTION DIAGRAM & SOCKET (11 PIN)

