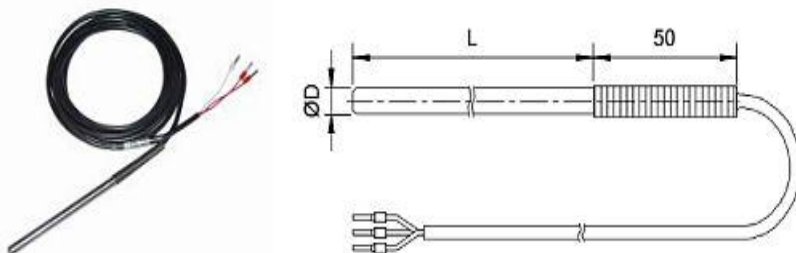


TERMOREZISTENTE/TERMISTOARE ET201, tip bara/tija, pentru inserare, cu cablu cu 3 fire

Push-in temperature sensors with cable



Temperature sensor assemblies	
Standard insertion sensors with 3-wire cable TERMOREZISTENTE cu 3 FIRE, cu CABLU DE 3 m, VARIANTE STANDARD	
ET201-D4L30-S3	Pt100A, <200°C, stem Ø4xL30 mm, silicone cable 3 m
ET201-D4L80-S3	Pt100A, <200°C, stem Ø4xL80 mm, silicone cable 3 m
ET201-D6L30-S3	Pt100A, <200°C, stem Ø6xL30 mm, silicone cable 3 m
ET201-D6L80-S3	Pt100A, <200°C, stem Ø6xL80 mm, silicone cable 3 m
ET201-D6L130-S3	Pt100A, <200°C, stem Ø6xL130 mm, silicone cable 3 m
ET201-D4L30-F3	Pt100A, <250°C, stem Ø4xL30 mm, fluoroplast cable 3 m
ET201-D4L80-F3	Pt100A, <250°C, stem Ø4xL80 mm, fluoroplast cable 3 m
ET201-D6L130-F3	Pt100A, <250°C, stem Ø6xL130 mm, fluoroplast cable 3 m
ET201-D6L30-G3	Pt100A, <500°C, stem Ø6xL30 mm, st.steel braided glassfiber cable 3 m
ET201-D6L80-G3	Pt100A, <500°C, stem Ø6xL80 mm, st.steel braided glassfiber cable 3 m
ET201-D6L130-G3	Pt100A, <500°C, stem Ø6xL130 mm, st.steel braided glassfiber cable 3 m
ET201-D6L230-G3	Pt100A, <500°C, stem Ø6xL230 mm, st.steel braided glassfiber cable 3 m

ALEGETI CODUL FUNCTIE DE TEMPERATURA, DIAMETRU, LUNGIME TIJA, TIP CABLU

Custom insertion sensors with 3-wire cable	
TERMOREZISTENTE/TERMISTOARE la alegerea clientului	
ET201-D4L30- ET201-D4L80- ET201-D4L130- ET201-D4L130ST- ET201-D6L30- ET201-D6L80- ET201-D6L130- ET201-D6L230- ET201-D6L330- ET201-D6L500- ET201-D6L1000- ET201-D6Lxxx-	a. ALEGERE DIAMETRU si LUNGIME [mm] stem Ø4xL30 mm stem Ø4xL80 mm stem Ø4xL130 mm stem Ø4xL130 mm, sharp tip stem Ø6xL30 mm stem Ø6xL80 mm stem Ø6xL130 mm stem Ø6xL230 mm stem Ø6xL330 mm stem Ø6xL500 mm stem Ø6xL1000 mm stem Ø6xLxxx mm - customer specified length <1000 mm
- ... -	b. ALEGERE TIP SENZOR [TERMOREZISTENTA/TERMISTOR] specify sensor type - Pt100A, Pt500A, Pt1000A, PTC1000, NTC10K, etc ...
-Sx -Fx -Gx	c. ALEGERE TIP CABLU SI LUNGIME CABLU, in metri silicone cable, <200°C, length x m, price per meter fluoroplast cable, <250°C, length x m, price per meter st.steel braided glassfiber cable, <500°C, length x m, price per meter

Exemplu : TERMISTOR PTC1000, DIAMETRU 6 mm, LUNGIME TIJA 1000 mm, CABLU SILICON, LUNGIME CABLU 5 m

ET201- D6L1000 - PTC1000 - Sx5

TERMOREZISTENTE/TERMISTOARE ET140, tip bara/tija, cu MANER, cu penetrare sau inserare



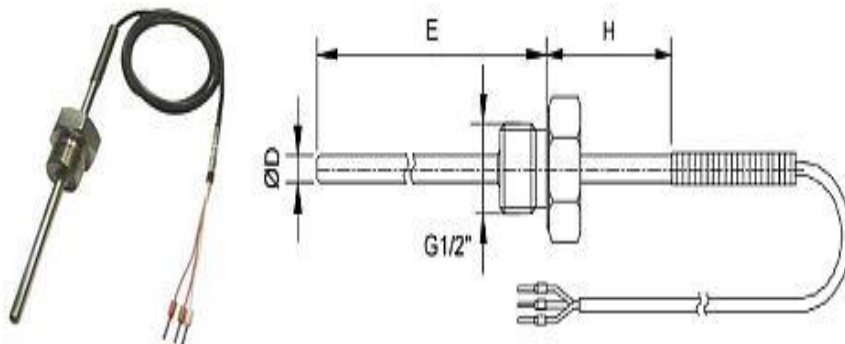
Sensors with handle SENZORI CU MANER		
ET140-D4L130ST- ET140-D6L230- ET140-D6L530- ET140-D6L1000-	a. ALEGERE DIAMETRU si LUNGIME [mm]	stem Ø4xL130 mm, sharp tip stem Ø6xL230 mm stem Ø6xL530 mm stem Ø6xL1000 mm
- ... -	b. ALEGE TIP SENZOR : TERMOREZISTENTA, TERMISTOR	specify sensor type - Pt100A, Pt500A, Pt1000A, PTC1000, NTC10K, etc ...
-Sx	c. ALEGE LUNGIME CABLU in METRI	silicone cable, <200°C, length x m, price per meter

Exemplu : TERMOREZISTENTA Pt500, DIAMETRU 6 mm, LUNGIME TIJA 530 mm, CABLU SILICON, LUNGIME CABLU 3 m

ET140 - D6L530 - Pt500 - Sx3

TERMOREZISTENTE/TERMISTOARE ET211, tip bara/tija, cu niplu/filet, cu cablu cu 3 fire

Screw-in temperature sensors with cable



Standard screw-in sensors with 3-wire cable and male G1/2 thread connection VARIANTE STANDARD	
ET211-D6E50 ET211-D6E75 ET211-D6E100 ET211-D6E160 ET211-D6E200	Pt100A, <250°C, stem Ø6xE50 mm, silicone cable 3 m Pt100A, <250°C, stem Ø6xE75 mm, silicone cable 3 m Pt100A, <250°C, stem Ø6xE100 mm, silicone cable 3 m Pt100A, <250°C, stem Ø6xE160 mm, silicone cable 3 m Pt100A, <250°C, stem Ø6xE200 mm, silicone cable 3 m

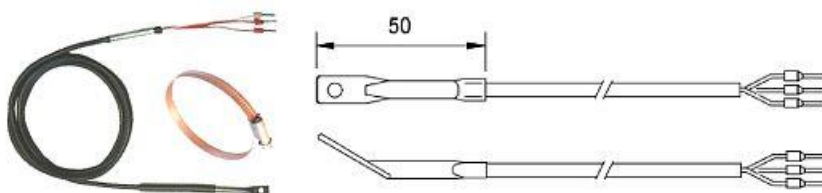
ALEGETI CODUL FUNCTIE DE TEMPERATURA, DIAMETRU, LUNGIME TIJA, TIP CABLU

Custom screw-in sensors with 3-wire cable and male thread connection		VARIANTE LA ALEGEREA CLIENTULUI
ET211-D6E50- ET211-D6E75- ET211-D6E100- ET211-D6E130- ET211-D6E160- ET211-D6E200- ET211-D6E250- ET211-D6E300- ET211-D6E400-	a. ALEGERE DIAMETRU si LUNGIME [mm]	stem Ø6xE50 mm stem Ø6xE75 mm stem Ø6xE100 mm stem Ø6xE130 mm stem Ø6xE160 mm stem Ø6xE200 mm stem Ø6xE250 mm stem Ø6xE300 mm stem Ø6xE400 mm
-G12- - -	b. ALEGERE NIPLU/FILET	male thread G1/2" specify thread type - M20x1,5, G1/4", etc ...
- ... -	c. ALEGERE TIP TERMOREZISTENTA	specify RTD type: Pt100, Pt500, Pt1000...
-Sx -Fx -Gx	d. ALEGERE TIP CABLU SI LUNGIME CABLU [in m]	silicone cable, <200°C, length x m, price per meter fluoroplast cable, <250°C, length x m, price per meter st. steel braided glassfiber cable, <500°C, length x m, price per meter

Exemplu cod comanda : **ET211-D6E300-G12-Pt1000-G4**

TERMOREZISTENTE/TERMISTOARE ET241, cu montare pe suprafata, cu cablu cu 3 fire, cu fixare cu surub M3 sau cu colier

Surface and air temperature sensors



Standard surface-mount sensors with 3-wire cable, fixing by M3 screw or clamp		VARIANTE STANDARD
ET241-PT100-S3 ET241-PT100-G3		Pt100A, <200°C, silicone cable 3 m Pt100A, <500°C, glassfiber cable 3 m

Custom surface-mount sensors with 3-wire cable, fixing by M3 screw or clamp		VARIANTE LA ALEGEREA CLIENTULUI
ET241- ... -	a. ALEGERE TIP TERMOREZISTENTA/TERMOCUPLU	specify sensor type - Pt100A, Pt500A, Pt1000A, PTC1000, NTC10K, etc ...
-Sx -Fx -Gx	b. ALEGERE TIP CABLU SI LUNGIME CABLU [in m]	silicone cable, <200°C, length x m, price per meter fluoroplast cable, <250°C, length x m, price per meter st. steel braided glassfiber cable, <500°C, length x m, price per meter

Accessories for surface-mount sensors		ALEGERE COLIER
HS27 HS40 HS60 HS110 HS215	c. ALEGERE COLIER functie de DIAMETRU conducta	clamp for pipe Ø16...27 mm clamp for pipe Ø25...40 mm clamp for pipe Ø40...60 mm clamp for pipe Ø50...110 mm clamp for pipe Ø60...215 mm

TERMOREZISTENTE/TERMISTOARE ET7xx, cu montare in interior, in exterior sau in conducta



Standard air sensors	VARIANTE STANDARD
ET711-PT100	indoors wall-mount, Pt100A, slotted case 76x76x27 mm, IP20, -20...+70°C
ET721-PT100	outdoors wall-mount, Pt100A, case 88x64x42 mm, IP56, -40...+85°C
ET731-PT100	duct-mount, Pt100A, stem Ø6xL200, case 88x64x42, IP56, -40...+85°C

Custom air sensors	VARIANTE LA ALEGEREA CLIENTULUI
ET711-	indoors wall-mount, slotted case 76x76x27 mm, IP20, -20...+70°C
ET721-	outdoors wall-mount, case 88x64x42 mm, IP56, -40...+85°C
ET731-	duct-mount, stem Ø6xL200, case 88x64x42, IP56, -40...+85°C
- ... -	specify sensor type - Pt100, Pt500, Pt1000, PTC1000, NTC10K, etc ...
-B	terminal block
-I-T1-T2	transmitter with 4-20 mA output, scale T1-T2 °C
-U-T1-T2	transmitter with 0-10 V output, scale T1-T2 °C
-485	transmitter with RS485 interface, Modbus RTU protocol

TERMOREZISTENTE ET501, industriale, cu inserare, cu cap de conexiuni tip B, cu/fara transmiter

Industrial push-in temperature sensors



Push-in RTD sensors with DIN Form B terminal head		
ET501-D6L80-... ET501-D6L130-... ET501-D6L190-... ET501-D6L290-... ET501-D6L500-... ET501-D6L1000-... ET501-D6L1xx-...	a. ALEGERE DIAMETRU si LUNGIME	stem Ø6xL80 mm stem Ø6xL130 mm stem Ø6xL190 mm stem Ø6xL290 mm stem Ø6xL500 mm stem Ø6xL1000 mm customer specified stem Ø6xLxx mm, length up to 1000 mm
-...- -.../H- -.../2- -.../2H-	b. ALEGERE TIP TERMOREZISTENTA	<250°C, specify RTD type: Pt100, Pt500, Pt1000 <500 °C, specify RTD type: Pt100, Pt500, Pt1000 <250 °C, double RTD, specify RTD type: Pt100, Pt500, Pt1000 <500 °C, double RTD, specify RTD type: Pt100, Pt500, Pt1000
-C -A-T1-T2 -V-T1-T2 -485	c. ALEGERE BLOC CONEXIUNI/TIP TRANSMITER	ceramic terminal block transmitter with 4-20 mA output, scale T1-T2 °C transmitter with 0-10 V output, scale T1-T2 °C transmitter with RS485 interface, Modbus RTU protocol

Exemplu cod comanda : **ET501-D6L500-Pt1000/H-A-T1-T2**

TERMOCUPLE ET601, industriale, cu inserare, cu cap de conexiuni tip B, cu/fara transmiter

Push-in thermocouples with DIN B terminal head	
ET601-D3L250- ET601-D3L500- ET601-D6L300- ET601-D6L500- ET601-D6L1000- ET601-D6L1500-	<1000/1150°C, stem Ø3xL250 mm, mineral insulated, type K <1000/1150°C, stem Ø3xL500 mm, mineral insulated, type K <1150/1250°C, stem Ø6xL300 mm, mineral insulated, type K <1150/1250°C, stem Ø6xL500 mm, mineral insulated, type K <1150/1250°C, stem Ø6xL1000 mm, mineral insulated, type K <1150/1250°C, stem Ø6xL1500 mm, mineral insulated, type K
-C -A-T1-T2 -U-T1-T2 -485	ceramic terminal block transmitter with 4-20 mA output, scale T1-T2 °C transmitter with 0-10 V output, scale T1-T2 °C transmitter with RS485 interface, Modbus RTU protocol

TERMOREZISTENTE ET501, industriale, cu inserare, cu cap de conexiuni tip B, cu/fara transmiter, cu posibilitate inlocuire senzori

Push-in thermocouples with terminal head and replaceable insert	
ET621-D10L250- ET621-D10L500- ET621-D10L1000-	<800/900°C, stem Ø10xL250 mm, type K, DIN B head <800/900°C, stem Ø10xL500 mm, type K, DIN B head <800/900°C, stem Ø10xL1000 mm, type K, DIN B head
ET621-D15L500- ET621-D15L1000-	<1150/1250°C, stem Ø15xL500 mm, type K, DIN B head <1150/1250°C, stem Ø15xL1000 mm, type K, DIN B head
ET631-D15L500- ET631-D15L750- ET631-D15L1000-	<1400/1600°C, metal/ceramic stem Ø15/10xL500 mm, type S, DIN B head <1400/1600°C, metal/ceramic stem Ø15/10xL750 mm, type S, DIN B head <1400/1600°C, metal/ceramic stem Ø15/10xL1000 mm, type S, DIN B head
ET631-D22L500- ET631-D22L750- ET631-D22L1000-	<1400/1600°C, metal/ceramic stem Ø22/15xL500 mm, type S, DIN A head <1400/1600°C, metal/ceramic stem Ø22/15xL750 mm, type S, DIN A head <1400/1600°C, metal/ceramic stem Ø22/15xL1000 mm, type S, DIN A head
-C -A-T1-T2 -U-T1-T2 -485	ceramic terminal block transmitter with 4-20 mA output, scale T1-T2 °C transmitter with 0-10 V output, scale T1-T2 °C transmitter with RS485 interface, Modbus RTU protocol

ACCESORII pentru montaj, conectare, fixare



Replacement inserts for ET621 Series sensors	SENZOR DE INLOCUIRE, TERMOCUPLU K
EA621-L250	mineral insulated insert Ø3xL250 mm, type K
EA621-L500	mineral insulated insert Ø3xL500 mm, type K
EA621-L1000	mineral insulated insert Ø3xL1000 mm, type K

Compensation cable for K-thermocouples		CABLU DE COMPENSARE
KX-PVC-10		10 m roll, type KX, PVC insulation, max 105 °C
KX-PVC-25		25 m roll, type KX, PVC insulation, max 105 °C
Thermocouple connectors		CONECTORI TERMOCUPLU
M-KPC		Mini plug for K-type thermocouple, cable mount, max 220 °C
M-KSC		Mini socket for K-type thermocouple, cable mount, max 220 °C
M-KSP		Mini socket for K-type thermocouple, panel mount, max 200 °C
Mounting accessories for push-in sensors		ACCESORII FIXARE : NIPLU FILETAT si NIPLU FILETAT COMPRESIE
A101-6	NIPLU FILETAT	adjustable screw fitting for Ø6 mm stem, max 200 °C
A101-10		adjustable screw fitting for Ø10 mm stem, max 200 °C
MB1-15		adjustable screw fitting for Ø15 mm stem, weld type, max 300 °C
MB2-15		adjustable screw fitting for Ø15 mm stem, flange type, max 300 °C
MB1-22		adjustable screw fitting for Ø22 mm stem, weld type, max 300 °C
MB2-22		adjustable screw fitting for Ø22 mm stem, flange type, max 300 °C
FS12T3	NIPLU FILETAT de COMPRESIE	adjustable compression fitting for Ø3 mm stem, outer thread 1/2"
FS12T6		adjustable compression fitting for Ø6 mm stem, outer thread 1/2"
FS12T10		adjustable compression fitting for Ø10 mm stem, outer thread 1/2"
FS12T15		adjustable compression fitting for Ø15 mm stem, outer thread 1/2"

TERMOREZISTENTE ET511, industriale, cu cap de conexiuni tip B, si cu niplu de fixare filetata G1/2

Industrial screw-in temperature sensors



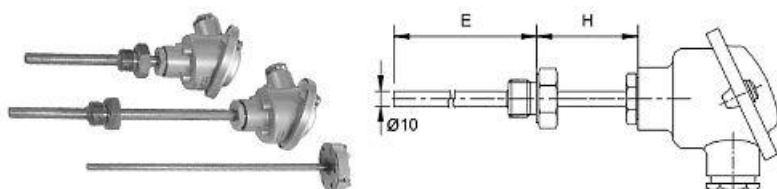
Standard screw-in sensors with DIN B terminal head and G1/2 thread connection		VARIANTE STANDARD
ET511-D6E50-		<250°C, Pt100A, DIN B head, stem Ø6xE50, neck H30 mm
ET511-D6E75-		<250°C, Pt100A, DIN B head, stem Ø6xE75, neck H30 mm
ET511-D6E100-		<250°C, Pt100A, DIN B head, stem Ø6xE100, neck H30 mm
ET511-D6E160-		<250°C, Pt100A, DIN B head, stem Ø6xE160, neck H30 mm
ET511-D6E200-		<250°C, Pt100A, DIN B head, stem Ø6xE200, neck H30 mm
ET511-D6E250-		<250°C, Pt100A, DIN B head, stem Ø6xE250, neck H30 mm
-C		ceramic terminal block
-A-T1-T2		transmitter with 4-20 mA output, scale T1-T2 °C
-U-T1-T2		transmitter with 0-10 V output, scale T1-T2 °C
-485		transmitter with RS485 interface, Modbus RTU protocol

Custom screw-in sensors with DIN B terminal head and thread connection		VARIANTE LA ALEGEREA CLIENTULUI
ET511-D6E50-	a. ALEGERE DIAMETRU si LUNGIME [mm]	stem Ø6xE50 mm
ET511-D6E75-		stem Ø6xE75 mm
ET511-D6E100-		stem Ø6xE100 mm
ET511-D6E130-		stem Ø6xE130 mm
ET511-D6E160-		stem Ø6xE160 mm
ET511-D6E200-		stem Ø6xE200 mm
ET511-D6E250-		stem Ø6xE250 mm
ET511-D6E300-		stem Ø6xE300 mm
ET511-D6E400-		stem Ø6xE400 mm
ET511-D6Exx-		stem Ø6, specify insertion length Exx mm (range 100...600 mm)

-H30- -H130- -Hxx-	b. ALEGERE DIMENSIUNE PRELUNGIRE H [desen]	short neck H = 30 mm long neck H = 130 mm specify neck length H mm (range 50...300 mm)
-G12- - -	c. ALEGERE TIP FILET	male thread G1/2" specify thread type - M20x1,5, G1/4", etc ...
-...- -.../H- -.../2- -.../2H-	d. ALEGERE TIP TERMOREZISTENTA și NUMAR	<250°C, specify RTD type: Pt100, Pt500, Pt1000 <500 °C, specify RTD type: Pt100, Pt500, Pt1000 <250 °C, double RTD, specify RTD type: Pt100, Pt500, Pt1000 <500 °C, double RTD, specify RTD type: Pt100, Pt500, Pt1000
-C -I-T1-T2 -U-T1-T2 -485	e. ALEGERE BLOC CONEXIUNI/TIP TRANSMITER	ceramic terminal block transmitter with 4-20 mA output, scale T1-T2 °C transmitter with 0-10 V output, scale T1-T2 °C transmitter with RS485 interface, Modbus RTU protocol

TERMOREZISTENTE ET521, industriale, cu cap de conexiuni tip B, cu niplu de fixare filetat G1/2, cu teaca, cu posibilitatea de inlocuire/schimbare senzor

Temperature sensors with integrated thermowell



Standard sensors with replaceable insert, DIN B terminal head and G1/2 thread connection		VARIANTE STANDARD
ET521-D10E75- ET521-D10E100- ET521-D10E160- ET521-D10E200- ET521-D10E250-		<250°C, Pt100A, DIN B head, stem Ø10xE75, neck H30 mm <250°C, Pt100A, DIN B head, stem Ø10xE100, neck H30 mm <250°C, Pt100A, DIN B head, stem Ø10xE160, neck H30 mm <250°C, Pt100A, DIN B head, stem Ø10xE200, neck H30 mm <250°C, Pt100A, DIN B head, stem Ø10xE250, neck H30 mm
-C -A-T1-T2 -U-T1-T2 -485		ceramic terminal block transmitter with 4-20 mA output, scale T1-T2 °C transmitter with 0-10 V output, scale T1-T2 °C transmitter with RS485 interface, Modbus RTU protocol

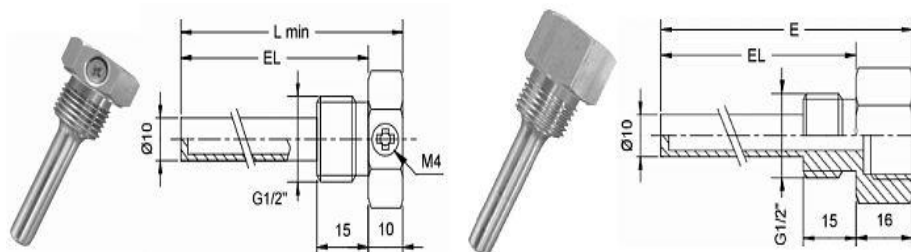
Custom sensors with with replaceable insert, DIN B terminal head and thread connection		VARIANTE LA ALEGEREA CLIENTULUI
ET521-D10E50- ET521-D10E75- ET521-D10E100- ET521-D10E130- ET521-D10E160- ET521-D10E200- ET521-D10E250- ET521-D10E300- ET521-D10E400- ET521-D10Exx-	a. ALEGERE DIAMETRU și LUNGIME [mm]	stem Ø10xE50 mm stem Ø10xE75 mm stem Ø10xE100 mm stem Ø10xE130 mm stem Ø10xE160 mm stem Ø10xE200 mm stem Ø10xE250 mm stem Ø10xE300 mm stem Ø10xE400 mm stem Ø10, specify insertion length Exx mm (range 100...600 mm)
-H30- -H130- -Hxx-	b. ALEGERE DIMENSIUNE PRELUNGIRE H [desen]	short neck H = 30 mm long neck H = 130 mm specify neck length H mm (range 50...300 mm)
-G12- - -	c. ALEGERE TIP FILET	male thread G1/2" specify thread type - M20x1,5, G1/4", etc ...
-...- -.../H- -.../2- -.../2H-	d. ALEGERE TIP TERMOREZISTENTA și NUMAR	<250°C, specify RTD type: Pt100, Pt500, Pt1000 <500 °C, specify RTD type: Pt100, Pt500, Pt1000 <250 °C, double RTD, specify RTD type: Pt100, Pt500, Pt1000 <500 °C, double RTD, specify RTD type: Pt100, Pt500, Pt1000

-C -I-T1-T2 -U-T1-T2 -485	e. ALEGERE BLOC CONEXIUNI/TIP TRANSMITER	ceramic terminal block transmitter with 4-20 mA output, scale T1-T2 °C transmitter with 0-10 V output, scale T1-T2 °C transmitter with RS485 interface, Modbus RTU protocol
------------------------------------	---	--

Replacement inserts for ET521 Series sensors	ELEMENTE PENTRU INLOCUIRE
	insert Ø6, specify sensor dimensions Exx and Hyy mm (range 30...600 mm)
-...-	<250°C, specify RTD type: Pt100, Pt500, Pt1000
-.../H-	<500 °C, specify RTD type: Pt100, Pt500, Pt1000
-.../2-	<250 °C, double RTD, specify RTD type: Pt100, Pt500, Pt1000
-.../2H-	<500 °C, double RTD, specify RTD type: Pt100, Pt500, Pt1000
-C -I-T1-T2 -U-T1-T2 -485	ceramic terminal block transmitter with 4-20 mA output, scale T1-T2 °C transmitter with 0-10 V output, scale T1-T2 °C transmitter with RS485 interface, Modbus RTU protocol

TECI/MANSOANE EA8X1

Thermowells



Stainless steel thermowells for sensors with plain stem	TECI pentru SENZORI tip BARA/TIJA FARA FILET
EA811-EL45 EA811-EL60 EA821-EL85 EA821-EL115 EA821-EL175 EA821-EL275 EA821-ELxx	outer thread G1/2", Ø10xEL45 mm, for sensor stem Ø6, L>60 mm outer thread G1/2", Ø10xEL60 mm, for sensor stem Ø6, L>75 mm outer thread G1/2", Ø10xEL85 mm, for sensor stem Ø6, L>100 mm outer thread G1/2", Ø10xEL115 mm, for sensor stem Ø6, L>130 mm outer thread G1/2", Ø10xEL175 mm, for sensor stem Ø6, L>190 mm outer thread G1/2", Ø10xEL275 mm, for sensor stem Ø6, L>290 mm inner/outer threads G1/2", Ø10 mm, custom length ELxx (<600 mm)

Stainless steel thermowells for sensors with threaded connection	TECI pentru SENZORI tip BARA/TIJA CU FILET
EA821-E75 EA821-E100 EA821-E130 EA821-E160 EA821-E200 EA821-E250 EA821-E300 EA821-E400 EA821-Exx	inner/outer threads G1/2", Ø10 mm, for sensor stem Ø6xE75 mm inner/outer threads G1/2", Ø10 mm, for sensor stem Ø6xE100 mm inner/outer threads G1/2", Ø10 mm, for sensor stem Ø6xE130 mm inner/outer threads G1/2", Ø10 mm, for sensor stem Ø6xE160 mm inner/outer threads G1/2", Ø10 mm, for sensor stem Ø6xE200 mm inner/outer threads G1/2", Ø10 mm, for sensor stem Ø6xE250 mm inner/outer threads G1/2", Ø10 mm, for sensor stem Ø6xE300 mm inner/outer threads G1/2", Ø10 mm, for sensor stem Ø6xE400 mm inner/outer threads G1/2", Ø10 mm, custom length Exx (<600 mm)
A12T6	compression fitting for EA821 thermowells to fix plain sensor stem Ø6 mm

TERMOSISTEM MULTIPUNCT ESYET910 pentru monitorizare temperature silozuri

Multipoint thermometers



Cablu de masura, cu fixare pe tavan sau acoperis

Senzori termici dispusi pe cablu

Tip sensor : digital, microLan

Numar maxim senzori distribuiti pe cablu : 64

Distanta intre senzori pe cablu : 1....3 m

Precizie masura : < 0,5 gr. C

Switch MicroLAN pentru for adresare, linie cu 1 fir, 2 conectori si cablu 10 m

Controler MicroLAN, master, 1 fir, montaj pe perete

Components for silo temperature monitoring systems

Type		
SYET910- -Lxx- -Syy	Lungimea cablului, in m Numar senzori digitali	Temperature measurement cable with U-bolt top fixing, base price Length (xx) of steel wire armoured cable in meters, price per each meter Number (yy) of digital microLAN sensors in the cable, price per each sensor
SYMF30		Roof-top mounting plate for ET910 series temperature cables
E3103	Switch MicroLAN	MicroLAN Switch for addressing 1-wire lines, 2 connectors and 10 m cable
E7708	Controler MicroLAN	MicroLAN Controller, 1-wire master, RS485 slave, wall mount, IP65

TERMOMETRE CU TIJA LUNGA, 2/3 m, SYET4XX

Long stem thermometers



Long stem thermometers ET4xx-S011 Series

Measurement range -50...+100 °C
Accuracy $\pm 0,3$ °C @ -50...+50 °C, $\pm 0,4$ °C @ +50...+100 °C
Protection class IP67, magnetic actuator for on-off switching
10 s sampling interval, min / max display, logging function
Temperature probes with 2 m and 3 m length
Optional 2 m extension cable for temperature probe

Long stem thermometers ET4xx-S011 Series	TERMOMETRE pentru PETROCHIMIE lungime 2 m sau 3 m
Type	
ET432-S011	Petrochemical thermometer set with 2 m immersion probe
ET433-S011	Petrochemical thermometer set with 3 m immersion probe
ET452-S011	Peat thermometer set, 2 m insertion probe with handles
ET453-S011	Peat thermometer set, 3 m insertion probe with handles
ET43-EC2	2 m extension cable for ET4XX probe, FEP insulation, IP67, M12 connectors
SSM	Replacement on/off magnet
IM-S011	Replacement indication module
ET432	Replacement Ø20 x L2000 mm petrochemical temperature probe
ET433	Replacement Ø20 x L3000 mm petrochemical temperature probe
ET452	Replacement Ø16 x L2000 mm peat temperature insertion probe
ET453	Replacement Ø16 x L3000 mm peat temperature insertion probe

TRANSMITERE TEMPERATURA E2163, ET2060

Temperature transmitters



Temperature transmitters	
Type	
E2163	In-head universal transmitter for RTDs and TCs, output 4-20 mA, mini-USB
E2060-RTD-I	In-head transmitter for Pt100 and other RTDs, output 4-20 mA
E2060-RTD-U	In-head transmitter for Pt100 and other RTDs, output 0-10 V
E2060-TC-I	In-head transmitter for thermocouples, output 4-20 mA
E2060-TC-U	In-head transmitter for thermocouples, output 0-10 V

Options for temperature transmitters	
-A485	RS485 interface module for E2160 transmitter
-DRM	DIN-rail mountable enclosure for E2163 and E2060 transmitter, size M1
-WM	Wall mountable enclosure for E2163 and E2060 transmitter, protection IP65