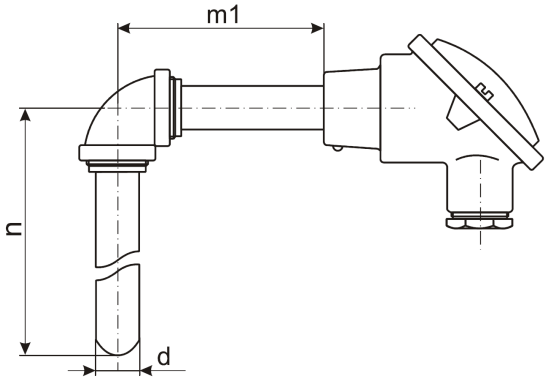
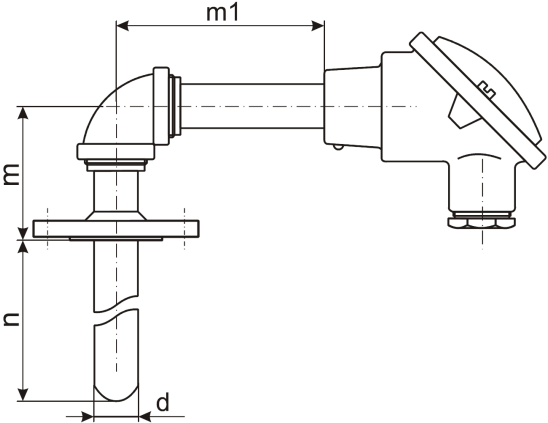
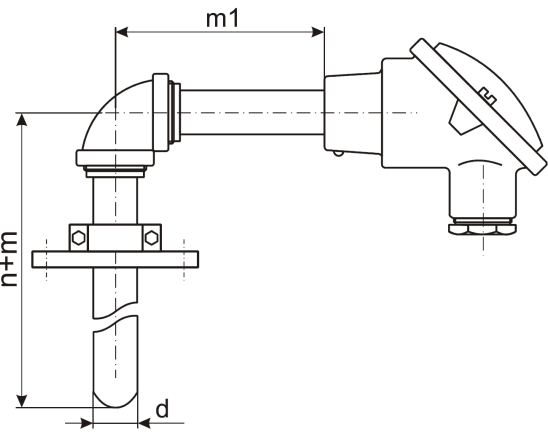


TERMOUPLU tip TSL

ANGLED T/C PROBE WITH PROTECTION HEAD Lx (TSLx) (FOR IN-HEAD TRANSMITTER)** OLx (TSOLx) Sheath - stainless steel (see Appendix - Sheath materials) Head - aluminum, stainless steel, or plastic (see Appendix - Protection heads)	SENSITIVE ELEMENT	TEMPERATURE RANGE	DIMENSIONS							
			d [mm]	wires						
DESIGN WITHOUT FLANGE (L) 	Normal Thermocouple Design									
	1 x J; 1 x L	T4 0...800 °C	10, 12, 14, 16,	2						
	2 x J; 2 x L		20, 22	2x2						
	1 x K	T3 0...850 °C T16 0...1100 °C T6* 0...1150 °C	10, 12, 14, 16,	2						
	2 x K		20, 22	2x2						
	1 x E	T3 0...850 °C T13 0...1000 °C	10, 12, 14, 16,	2						
	2 x E		20, 22	2x2						
	1 x S	T16 0...1100 °C T6* 0...1150 °C	10, 12, 14, 16,	2						
	1 x R		20, 22	2						
	2 x S	T16 0...1100 °C T6* 0...1150 °C	10, 12, 14, 16,	2x2						
	2 x R		20, 22	2x2						
DESIGN WITH WELDED FLANGE (L1) 	MI Thermocouple Design									
	1 x J	T4 0...800 °C	10	2						
	1 x K	T3 0...850 °C	10	2						
	1 x N; 1 x E	T16 0...1100 °C	10	2						
	2 x K	T3 0...850 °C T16 0...1100 °C	10	2x2						
DESIGN WITH ADJUSTABLE FLANGE (L3) 	<p>Protection head: B, MA, MB, G, N, Dx, Ex, EX (see Appendix - Protection heads)</p> <p>Process connection: - welded flange - adjustable flange - no mounting appliances</p> <p>Insertion length: n = 200...1500 mm</p> <p>Extension length: m = 100...1000 mm</p> <p>Holding tube: - m1 = 100...1000 mm - OD 20(22) mm - material 1.4301 or 1.4541</p> <p>Tip shape (hot junction design): standard (isolated), grounded, open-tube, exposed (see Appendix - Tip shapes)</p> <p>Process pressure:</p> <table border="1" style="width: 100%; border-collapse: collapse;"> <tr> <td style="text-align: center;">Probe design</td> <td style="text-align: center;">L, L1</td> <td style="text-align: center;">L3</td> </tr> <tr> <td style="text-align: center;">Max. pressure *</td> <td style="text-align: center;">25 bar</td> <td style="text-align: center;">0 bar</td> </tr> </table> <p>Sheath material: 1.4404(M9), 1.4541(M2), 1.4571(M3), 1.4762(M4), 1.4841(M5), 1.4845(M6), 1.4876(M7), 2.4816(M8), 1.4362 (M15)</p> <p>MI sheath material: 1.4541(M2), 1.4571(M3), 1.4876(M7), 2.4816(M8)</p> <p>Accuracy class: '1' or '2' (see Appendix - T/C Tolerance)</p>				Probe design	L, L1	L3	Max. pressure *	25 bar	0 bar
Probe design	L, L1	L3								
Max. pressure *	25 bar	0 bar								
	* Please contact									
	** Order transmitter separately!!!									

Ordering code TS*(1,3) - G0.G1G2.G3.G4.G6.G7'.G7".G9.G10.G11.G14 - #1.#2

Code	Feature or option	Code values	
*	Base model variant	L - standard (w/ terminal block), OL - prepared for in-head transmitter (w/o terminal block)	
G0	Protection head	B - type "B", MA - type "MA", MB - type "MB", G - IP65, type "G", N - type "N", D - type "D", DW - windowed, type "DW", DH - w/ high cap, type "DH", DHW - windowed, type "DHW", E - IP65, type "E", ES - stainless-steel, type "ES", EG - IP68 ATEX-approved Ex 'd', type "EG", EGS - IP66 ATEX-approved Ex 'd', type "EGS", EGW - windowed ATEX-approved Ex 'd', type "EGW", EX - explosion-proof instrument housing (specify!)	
G1	Number of thermocouples	1 or 2	
G2	Thermocouple	J - type "J", K - type "K", N - type "N", E - type "E", L - type "L", S - type "S", R - type "R"	
G3	Temperature range	T3 - 0...850 °C, T4 - 0...800 °C, T6 - 0...1200 °C ⁽⁵⁾ , T13 - 0...1000 °C, T16 - 0...1100 °C	
G4	Diameter 'd' [mm]	normal T/C	10, 12, 14, 16, 20, 22
		MI T/C	10
G6	Probe length 'n' [mm] ⁽¹⁾	200...1500	
G7'	Probe length 'm' [mm] ⁽²⁾	100...1000	
G7"	Probe length 'm1' [mm]	100...1000	
G9	Mounting connection	X - no mounting appliances, F - flange (specify!), Z - other connection (specify!)	
G10	Sheath material	normal T/C	M2 - 1.4541, M3 - 1.4571, M4 - 1.4762, M5 - 1.4841, M6 - 1.4845, M7 - 1.4876, M8 - 2.4816, M9 - 1.4404, M15 - 1.4362
		MI T/C	M2 - 1.4541, M3 - 1.4571, M7 - 1.4876 (Incolloy 800), M8 - 2.4816 (Inconel 600)
G11	Accuracy class	1 - '1' ⁽⁵⁾ , 2 - '2'	
G14	Tip shape (hot junction)	X - standard (isolated from sheath), G - grounded, E - exposed hot junction ⁽³⁾ , O - open-tube design ⁽³⁾	
#1	Options	X - none, OV - vibration proof (spring-type terminals ⁽⁵⁾ , secured screws), OP - electrochemically polished sheath surface	
#2	Local indicator	X - none, A - local indicator mounted ⁽⁴⁾	

⁽¹⁾ 'n+m' for TS(O)L3!

⁽²⁾ Only for TS(O)L1!

⁽³⁾ Only for non-explosion-proof thermocouples!

⁽⁴⁾ With windowed head only! See indicator datasheets and order separately!

⁽⁵⁾ Contact

Distributor:

SYSCOM 02 Srl Bucuresti

Tel./ Fax.: 021 410 5281; mobil: 0722 725659; e-mail: syscom02@automatizariindustriale.ro;

www.automatizariindustriale.ro