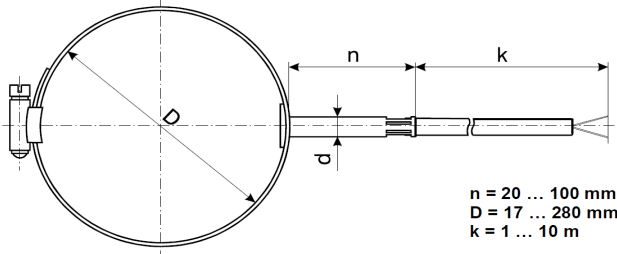
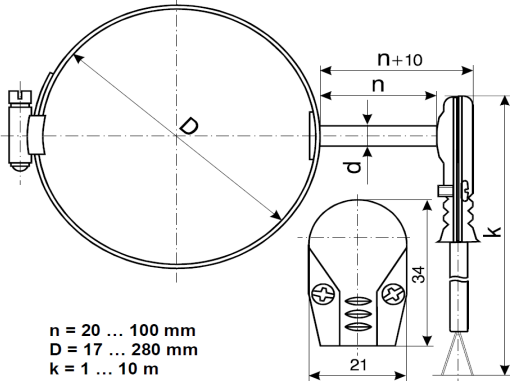


# SONDE DE TEMPERATURA tip TST

<b>(MI**) CLAMP CABLE PROBE FOR PIPE-SURFACE MEASUREMENT</b> Sheath - stainless steel (see table notes) Clamp - see table notes Cable - see table notes	TSTx			DIMENSIONS																																					
	SENSITIVE ELEMENT	CABLE TYPE	TEMPERATURE RANGE	d [mm]	wires																																				
<div style="text-align: center;"> <b>STRAIGHT-TUBE DESIGN (TST)</b>  <p style="text-align: right;">n = 20 ... 100 mm D = 17 ... 280 mm k = 1 ... 10 m</p> </div> <div style="text-align: center; margin-top: 20px;"> <b>DESIGN WITH ANGLED TERMINATION (TSTL)</b>  <p style="text-align: right;">n = 20 ... 100 mm D = 17 ... 280 mm k = 1 ... 10 m</p> </div> <table border="1" style="width: 100%; margin-top: 20px; border-collapse: collapse;"> <thead> <tr> <th style="text-align: left;">Diameter 'D'</th> <th style="text-align: left;">Average pipe OD</th> </tr> </thead> <tbody> <tr><td>17...29 mm</td><td>22</td></tr> <tr><td>25...45 mm</td><td>35</td></tr> <tr><td>40...60 mm</td><td>50</td></tr> <tr><td>63...83 mm</td><td>73</td></tr> <tr><td>78...98 mm</td><td>88</td></tr> <tr><td>93...113 mm</td><td>103</td></tr> <tr><td>108...128 mm</td><td>118</td></tr> <tr><td>123...143 mm</td><td>133</td></tr> <tr><td>138...158 mm</td><td>148</td></tr> <tr><td>153...173 mm</td><td>163</td></tr> <tr><td>168...188 mm</td><td>178</td></tr> <tr><td>183...203 mm</td><td>193</td></tr> <tr><td>198...218 mm</td><td>208</td></tr> <tr><td>213...233 mm</td><td>223</td></tr> <tr><td>228...248 mm</td><td>238</td></tr> <tr><td>243...263 mm</td><td>253</td></tr> <tr><td>258...280 mm</td><td>269</td></tr> </tbody> </table>	Diameter 'D'	Average pipe OD	17...29 mm	22	25...45 mm	35	40...60 mm	50	63...83 mm	73	78...98 mm	88	93...113 mm	103	108...128 mm	118	123...143 mm	133	138...158 mm	148	153...173 mm	163	168...188 mm	178	183...203 mm	193	198...218 mm	208	213...233 mm	223	228...248 mm	238	243...263 mm	253	258...280 mm	269	<b>RTD Design</b>				
	Diameter 'D'	Average pipe OD																																							
	17...29 mm	22																																							
	25...45 mm	35																																							
	40...60 mm	50																																							
	63...83 mm	73																																							
	78...98 mm	88																																							
	93...113 mm	103																																							
	108...128 mm	118																																							
	123...143 mm	133																																							
138...158 mm	148																																								
153...173 mm	163																																								
168...188 mm	178																																								
183...203 mm	193																																								
198...218 mm	208																																								
213...233 mm	223																																								
228...248 mm	238																																								
243...263 mm	253																																								
258...280 mm	269																																								
1 x Pt (RB,RD,RF,RG)	SLSL, TSL, YY, UU, YU	T9 -50...200 °C T1* -50...400 °C	4.5**, 5	2, 3*	6																																				
2 x Pt (RB,RD,RF,RG)	GLGL, TT	T7 0...200 °C T8 0...400 °C	6	2, 3, 4*	2x2																																				
1 x Cu (RH, RK)	SLSL, TSL, YY, UU, YU	T9 -50...200 °C	5*	2, 3*	6																																				
2 x Cu (RH, RK)	GLGL, TT	T7 0...200 °C	6	2, 3, 4*	2x2																																				
1 x PTC (RP, RQ)	SLSL, TSL, YY, UU, YU GLGL, TT	T12 -50...100 °C T19 0...100 °C	6	2, 3																																					
<b>Regular Thermocouple Design</b>																																									
1 x J, 1 x K, 1 x T	SLSL, TSL, YY, UU, YU GLGL, TT	T9 -50...200 °C T1* -50...400 °C T8 0...400 °C	5, 6	2																																					
<b>MI Thermocouple Design **</b>																																									
1 x N, 1 x E, 1 x T	SLSL, TSL, YY, UU, YU GLGL, TT	T9 -50...200 °C T1* -50...400 °C T8 0...400 °C	4.5, 6	2																																					
<p><b>Sheath material:</b> 1.4301 (M1), 1.4541 (M2), 1.4571 (M3), 1.4404 (M9)</p> <p><b>Cable type:</b>                      - GLGLP(V) (glass fiber w/ steel braid, max. 400 °C ambient temperature)                      - SLSL or TSL (silicone, max. 250 °C ambient temperature)                      - TT (Teflon®, max. 250 °C ambient temperature)                      - YY (PVC, max. 100 °C ambient temperature)                      - UU or YU (PUR, max. 80 °C ambient temperature)</p> <p><b>Tip shape:</b>                      - RTD: standard                      - T/C: standard (isolated) or grounded                      (see Appendix - Tip Shapes)</p> <p><b>Accuracy class:</b>                      - RTD: 'A', 'B', or '2xB'                      - T/C: '1' or '2'                      (see Appendix - RTD or T/C Tolerance)</p> <p><b>Cable connector:</b>                      4-pin (C3), 'T/C standard' (C5) or 'T/C miniature' (C6)                      (see Appendix - Connectors)</p> <p><b>Available clamp sizes:</b></p> <table border="1" style="width: 100%; border-collapse: collapse;"> <thead> <tr> <th style="text-align: left;">Diameter 'D'</th> <th style="text-align: left;">Clamp width</th> </tr> </thead> <tbody> <tr> <td>17...113 mm</td> <td>8 mm or 14 mm</td> </tr> <tr> <td>108...280 mm</td> <td>14 mm</td> </tr> </tbody> </table> <p>- other on request</p>						Diameter 'D'	Clamp width	17...113 mm	8 mm or 14 mm	108...280 mm	14 mm																														
Diameter 'D'	Clamp width																																								
17...113 mm	8 mm or 14 mm																																								
108...280 mm	14 mm																																								
<p>* Please contact</p> <p>** Available only for TSTL!</p>																																									

Distribuito:

SYSCOM 02 Srl Bucuresti

Tel./ Fax.: 031 422 4396; mobil: 0722 725659; e-mail: [syscom02@automatizariindustriale.ro](mailto:syscom02@automatizariindustriale.ro);

[www.automatizariindustriale.ro](http://www.automatizariindustriale.ro)

**Ordering code** TST(L) - (MI -<sup>(1)</sup>) G1G2.G3.G4.G5.G6.G8.G10.G11.G12.G14.G15 - #1

Code	Feature or option	Code values
G1	Number of sensors <sup>(3)</sup>	1 or 2
G2	regular design	RB - Pt50, RD - Pt100, RF - Pt500, RG - Pt1000, RH - Cu50, RK - Cu100, RP - PTC 1k, RQ - PTC 2k, J - T/C type "J", K - T/C type "K", T - T/C type "T"
	MI design	RB - Pt50, RD - Pt100, RF - Pt500, RG - Pt1000, RH - Cu50, RK - Cu100, RP - PTC 1k, RQ - PTC 2k, E - T/C type "E", N - T/C type "N", T - T/C type "T"
G3	Temperature range	T1 - -50...400 °C, T7 - 0...200 °C, T8 - 0...400 °C, T9 - -50...200 °C, T12 - 50...100 °C, T19 - 0...100 °C
G4	regular design	5, 6
	MI design	4, 5, 6
G5	Clamp diameter 'D' (average pipe OD)	22 - 17...29 mm, 35 - 25...45 mm, 50 - 40...60 mm, 73 - 63...83 mm, 88 - 78...98 mm, 103 - 93...113 mm, 118 - 108...128 mm, 133 - 123...143 mm, 148 - 138...158 mm, 163 - 153...173 mm, 178 - 168...188 mm, 193 - 183...203 mm, 208 - 198...218 mm, 223 - 213...233 mm, 238 - 228...248 mm, 253 - 243...263 mm, 269 - 258...280 mm, Z - other on request (specify average pipe OD) <sup>(6)</sup>
G6	Probe length 'n' [mm]	20...100
G8	Cable length 'k' [m] and type	1GL...10GL - glass fiber, 1SL...10SL - silicone, 1TF...10TF - Teflon®, 1PU...10PU - polyurethane <sup>(6)</sup> , 1PV...10PV - PVC
G10	Sheath material (wetted parts)	M1 - 1.4301, M2 - 1.4541, M3 - 1.4571, M9 - 1.4404
G11	RTD	X - none <sup>(2)</sup> , A - 'A', B - 'B', C - '2xB'
	T/C	1 - '1' <sup>(6)</sup> , 2 - '2'
G12	Number of wires <sup>(3)</sup>	2, 3, 4 <sup>(6)</sup>
G14	Tip shape (hot junction) <sup>(4)</sup>	X - standard (isolated from sheath), G - grounded
G15	Connector	X - none, C3 - 4-pin male plug-in connector ø8 (for H5700 thermometer only), C5 - T/C connector, C6 - miniature T/C connector
#1	Options	X - none, OV - vibration proof (MgO or Silicone filled) <sup>(6)</sup> , OS - cable protection SS spring (≈ 50 mm), OB - braid termination lead (only w/o connector), OP - electrochemically polished sheath surface <sup>(5)</sup>

<sup>(1)</sup> Available only for TSTL!

<sup>(2)</sup> For non-Pt sensors

<sup>(3)</sup> Only for RTD sensors!

<sup>(4)</sup> Only for thermocouples!

<sup>(5)</sup> Only for non-MI (regular) design!

<sup>(6)</sup> Contact

Distributor:

SYSCOM 02 Srl Bucuresti

Tel./ Fax.: 031 422 4396; mobil: 0722 725659; e-mail: [syscom02@automatizariindustriale.ro](mailto:syscom02@automatizariindustriale.ro);

[www.automatizariindustriale.ro](http://www.automatizariindustriale.ro)