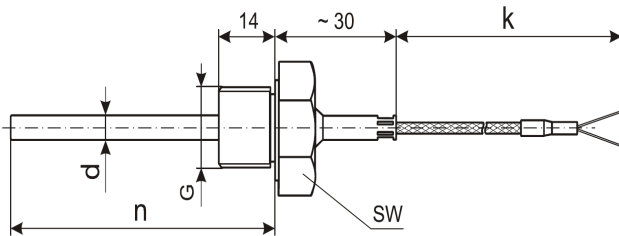
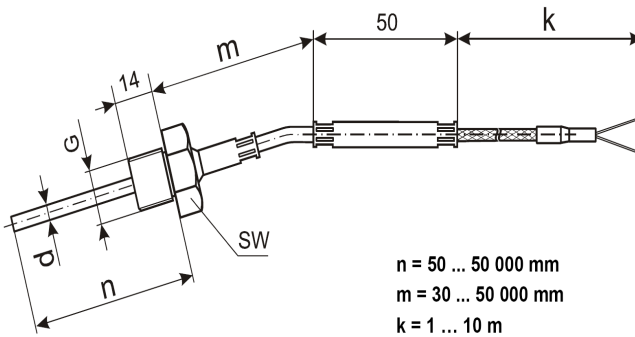
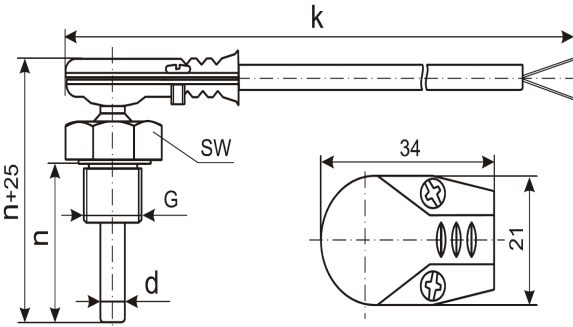


## TERMOCUPLU – tip TSNG

<b>SCREW-IN MI THERMOCOUPLE PROBE</b> NGx (TSNGx) Sheath - see table Extension cable - see table notes	<b>SENSITIVE ELEMENT</b>	<b>SHEATH MATERIAL</b>	<b>TEMPERATURE RANGE</b>	<b>d [mm]</b>
<p style="text-align: center;"><b>STRAIGHT DESIGN (NG)</b></p>  <p style="margin-left: 20px;"> <math>n = 50 \dots 50\,000 \text{ mm}</math>  <math>k = 1 \dots 10 \text{ m}</math> </p>	1 x J, 1 x T**	M2, M3, M8 M9, M5 M4 M10	T4    0...800 °C	1.5, 2, 3, 4.5, 6, 8 1.5, 2, 3, 4.5, 6, 8 6, 8 3, 4.5, 6
<p style="text-align: center;"><b>EXTENDED DESIGN (NG1)</b></p>  <p style="margin-left: 20px;"> <math>n = 50 \dots 50\,000 \text{ mm}</math>  <math>m = 30 \dots 50\,000 \text{ mm}</math>  <math>k = 1 \dots 10 \text{ m}</math> </p>	1 x K, 1 x N, 1 x E**	M2, M3 M9 M7* M8 M4 M5 M10	T3    0...850 °C T16    0...1100 °C T6    0...1150 °C T6    0...1250 °C	1.5, 2, 3, 4.5, 6, 8s 1.5, 2, 3, 4.5, 6, 8 3, 6 1.5, 2, 3, 4.5, 6, 8 6, 8 1.5, 3, 4.5, 6, 8 3, 4.5, 6
<p style="text-align: center;"><b>ANGLED DESIGN (NGL)</b></p>  <p style="margin-left: 20px;"> <math>n = 50 \dots 50\,000 \text{ mm}</math>  <math>k = 1 \dots 10 \text{ m}</math> </p>	1 x S(R)	M8	T16    0...1100 °C	3, 4.5, 6
<p><b>Sheath material:</b>                      1.4541 (M2), 1.4571 (M3), 1.4762 (M4), 1.4841 (M5),                      1.4876 (M7), 2.4816 (M8), 1.4404 (M9), Microbell® (M10)</p> <p><b>Cable type:</b>                      - GLGLP(V) (glass fiber w/ steel braid, max. 400 °C ambient temperature)                      - SLSL or TSL (silicone, max. 250 °C ambient temperature)                      - TT (Teflon®, max. 250 °C ambient temperature)                      - SFSF (mineral fiber, max. 1000 °C ambient temperature)                      - KFKF (ceramic fiber, max. 1200 °C ambient temperature)</p> <p><b>Tip shape (hot junction design):</b>                      standard (isolated), grounded, open-tube, exposed                      (see Appendix - Tip shapes)</p> <p><b>Accuracy class:</b>                      '1' or '2'                      (see Appendix - T/C Tolerance)</p> <p><b>Thermocouple connector:</b>                      'standard' (C5) or 'miniature' (C6)                      (see Appendix - Connectors)</p>				
<p>* Please contact                      ** For T/C type "T": (T8) 0...400 °C; for T/C type "E": (T13) 0...1000 °C</p>				

Distributor:

SYSCOM 02 Srl Bucuresti

Tel./ Fax.: 021 410 5281; mobil: 0722 725659; e-mail: [syscom02@automatizariindustriale.ro](mailto:syscom02@automatizariindustriale.ro);

[www.automatizariindustriale.ro](http://www.automatizariindustriale.ro)

**Ordering code** TSNG(G1,L) - G2.G3.G4.G6.G7.G8.G9.G10.G11.G14.G15 - #1

Code	Feature or option	Code values
G2	Thermocouple	<b>J</b> - type "J", <b>K</b> - type "K", <b>N</b> - type "N", <b>E</b> - type "E", <b>T</b> - type "T", <b>S</b> - type "S", <b>R</b> - type "R"
G3	Temperature range	<b>T4</b> - 0...800 °C, <b>T3</b> - 0...850 °C, <b>T16</b> - 0...1100 °C, <b>T6</b> - 0...1150(1250) °C
G4	Diameter 'd' [mm]	<b>1.5, 2, 3, 4.5, 6, 8</b>
G6	Probe length 'n' [mm]	<b>50...50000</b>
G7	Probe length 'm' [mm] <sup>(1)</sup>	<b>30...50000</b>
G8	Cable length 'k' [m] and type	<b>1GL...10GL</b> - glass fiber, <b>1SL...10SL</b> - silicone, <b>1TF...10TF</b> - Teflon®, <b>1MF...10MF</b> - mineral fiber, <b>1CF...10CF</b> - ceramic fiber
G9	Mounting connection	<b>Q0</b> - M16x1.5, <b>Q1</b> - M18x1.5, <b>Q2</b> - M20x1.5, <b>Q3</b> - G3/8", <b>Q4</b> - G1/2", <b>Q7</b> - M12x1.5, <b>Q8</b> - M14x1.5, <b>Q10</b> - 1/2" NPT, <b>Q18</b> - G1/8", <b>Q19</b> - 1/8" NPT, <b>Q20</b> - M10x1, <b>Q23</b> - G1/4", <b>Q24</b> - 1/4" NPT, <b>Q26</b> - M8x1, <b>Q29</b> - M8x1.25, <b>Q30</b> - M10x1.5, <b>Q31</b> - M6x1, <b>Uxx</b> - union nut (xx - same as for Qxx)
G10	Sheath material	<b>M2</b> - 1.4541, <b>M3</b> - 1.4571, <b>M4</b> - 1.4762 (1.4749), <b>M5</b> - 1.4841, <b>M7</b> - 1.4876 (Incolloy 800), <b>M8</b> - 2.4816 (Inconel 600), <b>M9</b> - 1.4404, <b>M10</b> - Nichobell®
G11	Accuracy class	<b>1</b> - '1' <sup>(3)</sup> , <b>2</b> - '2'
G14	Tip shape (hot junction)	<b>X</b> - standard (isolated from sheath), <b>G</b> - grounded, <b>E</b> - exposed hot junction, <b>O</b> - open-tube design
G15	Connector	<b>X</b> - none, <b>C5</b> - T/C connector, <b>C6</b> - miniature T/C connector
#1	Options	<b>X</b> - none, <b>OS</b> - cable protection SS spring (≈ 50 mm) <sup>(2)</sup> , <b>OB</b> - braid termination lead (only w/o connector), <b>OP</b> - electrochemically polished sheath surface

<sup>(1)</sup> Only for TSNG1!

<sup>(2)</sup> Only for TSNG!

<sup>(3)</sup> Contact

Distributor:

SYSCOM 02 Srl Bucuresti

Tel./ Fax.: 021 410 5281; mobil: 0722 725659; e-mail: [syscom02@automatizariindustriale.ro](mailto:syscom02@automatizariindustriale.ro);

[www.automatizariindustriale.ro](http://www.automatizariindustriale.ro)